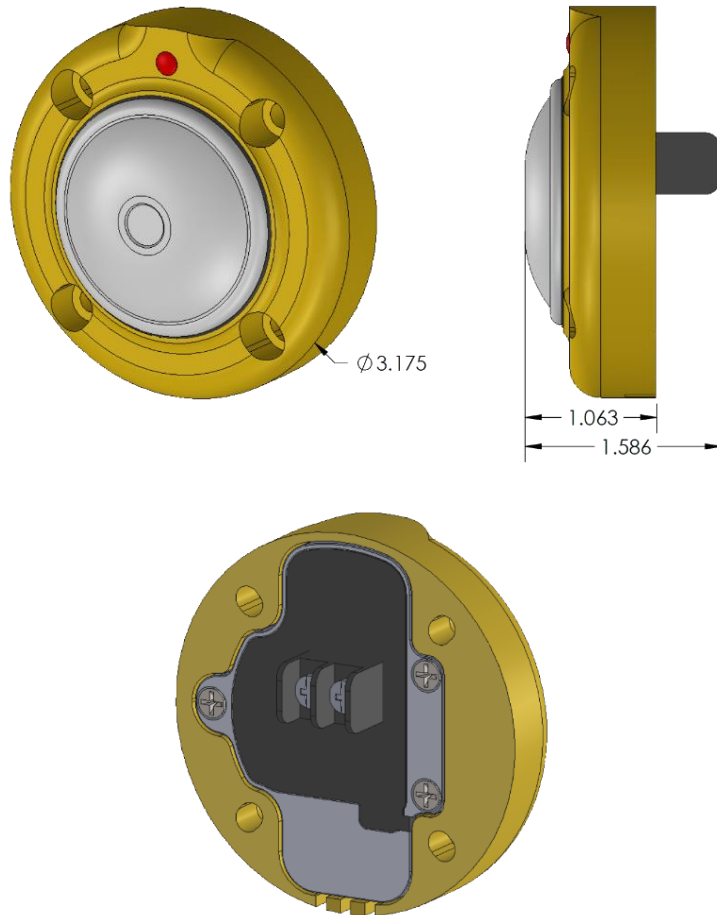




4 EVR MOAB Pedestrian Push Button



4 EVR MOAB Round Yellow Model Shown

The **4 EVR MOAB** is the next generation of solid-state pushbuttons. A new flush mount form factor with higher volume, lower power consumption, improved transient protection, and self-latching capability. Virtually vandal proof, the MOAB utilizes a Piezo switch element that cannot be stuck in a constant call. An audible tone is momentarily activated with the pedestrian call. The LED can be latching or momentarily activated with a pedestrian call. The actuator is pressure sensitive and mechanically isolated from the piezo switch so it cannot be damaged.

Materials

Bezel: Solid 6061T6 Aluminum
Actuator: Passivated 303 Stainless Steel
Hardware: Stainless Steel
Finish: Powder Coat

Feedback:

Visual: LED Super Bright Red
Audible: Dee 3900 Hz – Dah 3600 Hz
Tactile: Optional Tactile Arrow

Form Factor:

Round: 3.175" OD / 4-hole, 2-hole (9-3, 10-2)
Rectangular: 2.8" x 4.5" / 4-hole, 2-hole
Color: Black, Yellow, Green, Natural

Warranty: 5-year limited

Terminal screws include clamping plates intended for bare wire connections.

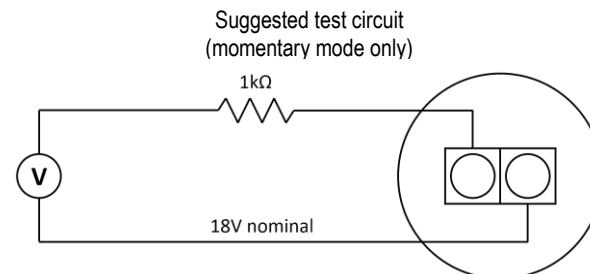
LED Specifications:

Luminous Intensity: 5000 mcd
Viewing Angle: 155°

LED Operating Modes:

Momentary: On for 0.025 seconds to correspond with audible on beep and circuit closure.

Latching: LED activates only during non-walk phases and extinguishes at the beginning of the walk phase.





Operating Specifications

Parameter	Rating
Operating Temperature Range	-40°C to +80°C -40 °F to +176°F
Operating Force	3.0 lb maximum
Operating Voltage	12-36 VDC, 12-24 VAC (5VDC option available)
Switch Operating Life	300 million operations
Switch Resistance	<20 Ω
Off Current	<15 μA Typ.
On Resistance	<150 Ω Typ.
Max On Time	150 ms Typ.
Debounce Time	600 ms Typ.

Design Compliance

Test Type	Compliance
Activation Force	MUTCD 2009-4E
Temperature & Humidity	NEMA TS2
Transient Voltage Protection	NEMA TS2
Transient Suppression	IEC 61000-4-5
Electronic Noise	FCC Title 47, Part 15 Class A
Mechanical Shock & Vibration	NEMA TS2
Ingress of Water	NEMA 250-6P, rain, snow, submersion, etc.
Salt Spray and Corrosion	NEMA 250-6P
Ingress of Foreign Objects	NEMA 250-6P

All certifications performed by certified independent testing laboratories

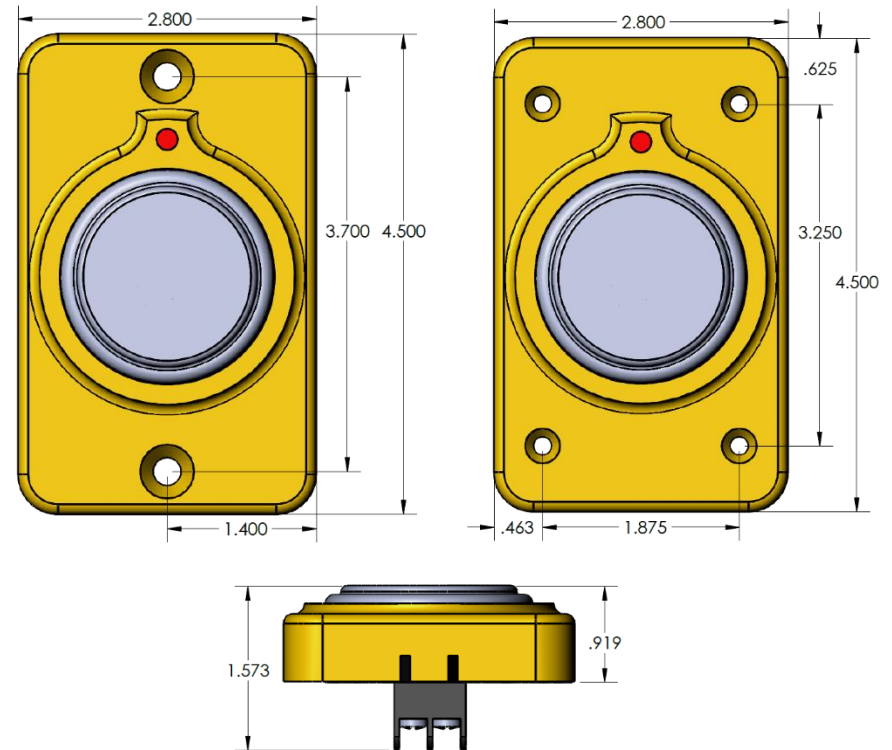
Notes:

- Applicable sections only of referenced standards
- All specifications are subject to change without notice
- All specifications are typical unless otherwise specified

Please specify part number:

Item Description	4 Hole
4 EVR MOAB Round	502-2001
4 EVR MOAB 5VDC	502-2032
4 EVR MOAB Rnd No LED	502-2012

Item Description	4 Hole	2 Hole
4 EVR MOAB Rectangular	502-2050	502-2052
4 EVR MOAB Rec No LED	502-2055	502-2054



4 EVR MOAB Rectangle W/ LED