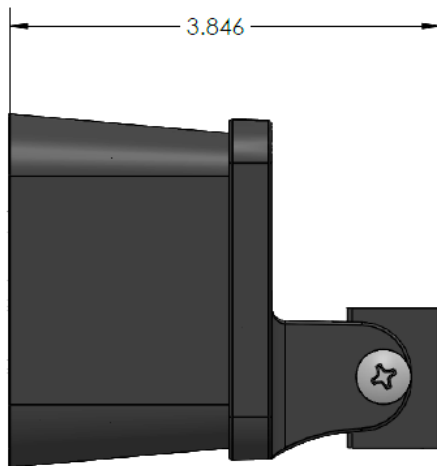




Audible Beacon Device



Audible Beacon Device

The **Audible Beacon Device (ABD)** provides percussive tones and/or verbal messaging beneficial to visually impaired and non-visually impaired pedestrians. It can function independently, paired with a pushbutton, or integrated with a Guardian APS unit for advanced broadcast functionality and true destination Beacons.

The ABD is ideal for larger intersections as well as intersections with no APS devices but need for APS messages or tones.

A 4C cable connects the Signal Power Interface (SPI) inside the pedestrian signal head to the ABD allowing it to operate independently from the cabinet. Adding 2C field wires from the FT connections at the Guardian to the Beacon allows for integrated APS functionality.

In metro applications, the ABD can provide informational messages for transit and light rail applications. The SPI requires 48 or 120 VAC input at the location of installation.

Key Features

- The ABD may be used in conjunction with a pushbutton to provide audible APS indications
- True Destination Beacons compatible when paired with PedSafety's Guardian APS
- Pan-Tilt bracket provides sound directionality to the closer third of the crossing
- Broadcasts audible indications at timed crossings where there is no actuation
- Two mounting options
 - Mounts on underside of the pedestrian signal head at the pedestrian initiation point of the crosswalk, or
 - Mounts on a pole approximately 7-10 feet high and points into the crossing
- Change settings via PedSafety's PedConnex™ software, free for all users, Bluetooth® and/or PC USB interface
- Bluetooth® included to allow for wireless setting and volume changes through PedSafety's PedConnex™ software.
- Ambient Gain Control controls volume levels and adjusts based on surroundings
- Calendar function volume controls accommodate residential and evening time operating envelopes.
- Constructed of durable Polycarbonate / PBT Housing, pan-tilt bracket constructed of 6061 AL



Operating Specifications

Parameter	Rating
Operating Temperature Range	-34°C to +74°C -30°F to +165°F
Maximum Volume	100 dB @ 1 meter

Design Compliance

Test Type	Compliance
Functionality	MUTCD 2009 - 4 E
Temperature and Humidity	NEMA TS2
Transient Voltage Protection	NEMA TS2
Mechanical Shock and Vibration	NEMA TS2
Guardian PBS enclosure	NEMA 250 – Type 4X
Electrical Reliability	NEMA TS4
Bluetooth® Specification	Bluetooth® SIG member

All certifications performed by certified independent testing laboratories



Notes:

- Applicable sections only of referenced standards
- All specifications are subject to change without notice
- All specifications are typical unless otherwise specified

Please specify part number:

ABD Beacon (includes #501-0300 SPI)	501-0211
ABD BBU (includes #501-0300 SPI)	501-0252

Beacon discounted if purchasing Beacon with Guardian in same purchase order and installed together

Signal Power Interface (SPI XC) 120 AC	501-0301
Signal Power Interface (SPI) 48 VDC	501-0303

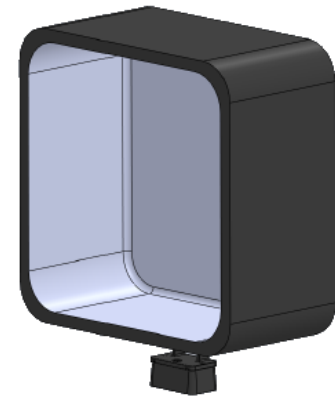
Please specify the following attributes:

1. Color	2. Installation Options
Textured Black	Beacon Mount (FS)
	BBU Mount

Mounting Options:



Beacon Style



BBU Style