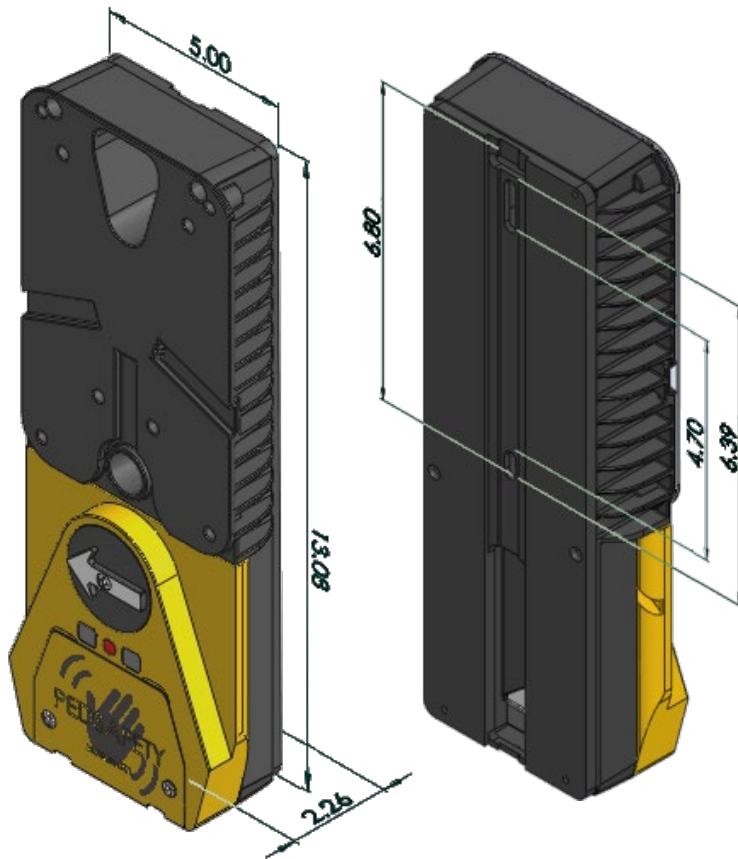




Guardian™ Independent 4-Wire APS



Guardian™ shown with Wave option

Guardian™ is an independent 4-Wire Accessible Pedestrian Signal that is ready to install out of the box and does not require any additional equipment in the Traffic Control Cabinet. A four-conductor cable connects the Signal Power Interface (SPI) in the pedestrian signal head to the pedestrian station – now capable of interfacing with touch-safe 48 VDC cabinets. An ADA compliant solid state push button is provided for typical actuation and a touchless actuation option is also available. All sounds emanate from the front and side of the station where the pedestrian is positioned to enter the crosswalk.

PedSafety's Wave touchless actuation sensor is superior in extreme weather conditions. Simply waving a hand 1-6" in front of the sensor will place a call for a walk cycle and provide all the essential information and indications required by the MUTCD and TAC.

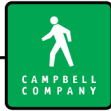
Bluetooth® is an optional add-on module that allows the agency to configure the push button settings wirelessly with a Bluetooth® enabled smart device via the **PedConnex™** app.

Key Features

- PedConnex™ and PedConnex™ Mobile App are downloadable software applications for USB and Bluetooth® interface allowing configuration and customization. (Windows, Android, iOS)
- Secure USB-C Android connection with PedConnex™ mobile App for non-Bluetooth applications
- Compatible with safe touch 48 VDC Cabinets
- Out of the box, on to the pole, pre-programmed, and customized for plug and play installation at the intersection
- Configuration profiles and settings can be saved and downloaded for quick button set-up and recovery in knockdown situations or configured and saved for future deployments
- Quiet Signal Technology (QST™) includes firmware settings for time-of-day functionality combined with port baffles that provide sound directionality – not 360° uncontrolled broadcasting
- Sync Call activation available for Pedestrian Phase
- Clearance Mode: Destination Beacons, Countdown, and Always-On are selectable features
- Pedsafety's Beacon APS speaker is available for Target Beacons applications on large crosswalks
- Automatic Gain Control for ambient and active AGC in the Walk cycle if selected
- Fail safe default reverts to standard push button operation in flash
- Low power consumption is ideal for RRFBs and solar mid-block crossings applications

Wave Features

- Sensor operates independently from physical push button
- Active Infrared Technology allows for sensitivity and detection range control 1-3", 1-6", & 1"-9"
- Wave sensor is reliable in extreme weather – rain or snow does not affect detection



Operating Specifications

Parameter	Rating
Operating Temperature Range	-34°C to +74°C -30 °F to +165°F
Operating Force	3.0 lb maximum
MTBF	1,200,000 hrs. (136 years)
Switch Operating Life	Greater than 100 million operations
Maximum Volume	100 dB @ 1 meter

Design Compliance

Test Type	Compliance
Functionality	MUTCD 2009 - 4E
Temperature and Humidity	NEMA TS2
Transient Voltage Protection	NEMA TS2
Transient Suppression	IEC 61000-4-4, IEC 61000-4-5
Electronic Noise	FCC Title 47, Part 15 Class B
Mechanical Shock and Vibration	NEMA TS2
Guardian PBS enclosure	NEMA 250 – Type 4X
Electrical Reliability	NEMA TS4
Bluetooth® Specification	Bluetooth® SIG member

All certifications performed by certified independent testing laboratories

Notes:

- Applicable sections only of referenced standards
- All specifications are subject to change without notice
- All specifications are typical unless otherwise specified

Please specify part number:

Guardian w/ 5" x 7.75" sign	501-0811C
Guardian Wave (Push Button) w/ 5" x 7.75" sign	501-0821C

Signal Power Interface (SPI) 120 AC	501-0300
Signal Power Interface (SPI) 48 VDC	501-0303

Bluetooth® Add-on	501-0652
-------------------	----------

Please specify the following five attributes:

1. Color ¹	2. Screw Type	3. Arrow type
Textured Black	Standard Phillips	Field Selectable (FS)
Federal Yellow	Pinned Torx (T)	Double Arrow (DA)
Federal Green	Allen Head (Allen)	No Arrow (NA)
Unpainted/Natural		
Other (specify)		

¹Color applies to faceplate only; thermoplastic back and aluminum backplate are black

4. Sign Film	6. Sign Legend ²
Engineering Grade	
Diamond Grade	
Decals EG & DG	
Braille 2	
5. Adapter Plates	
9" x 12"	
9" x 15"	

²Specify MUTCD sign at time of purchase