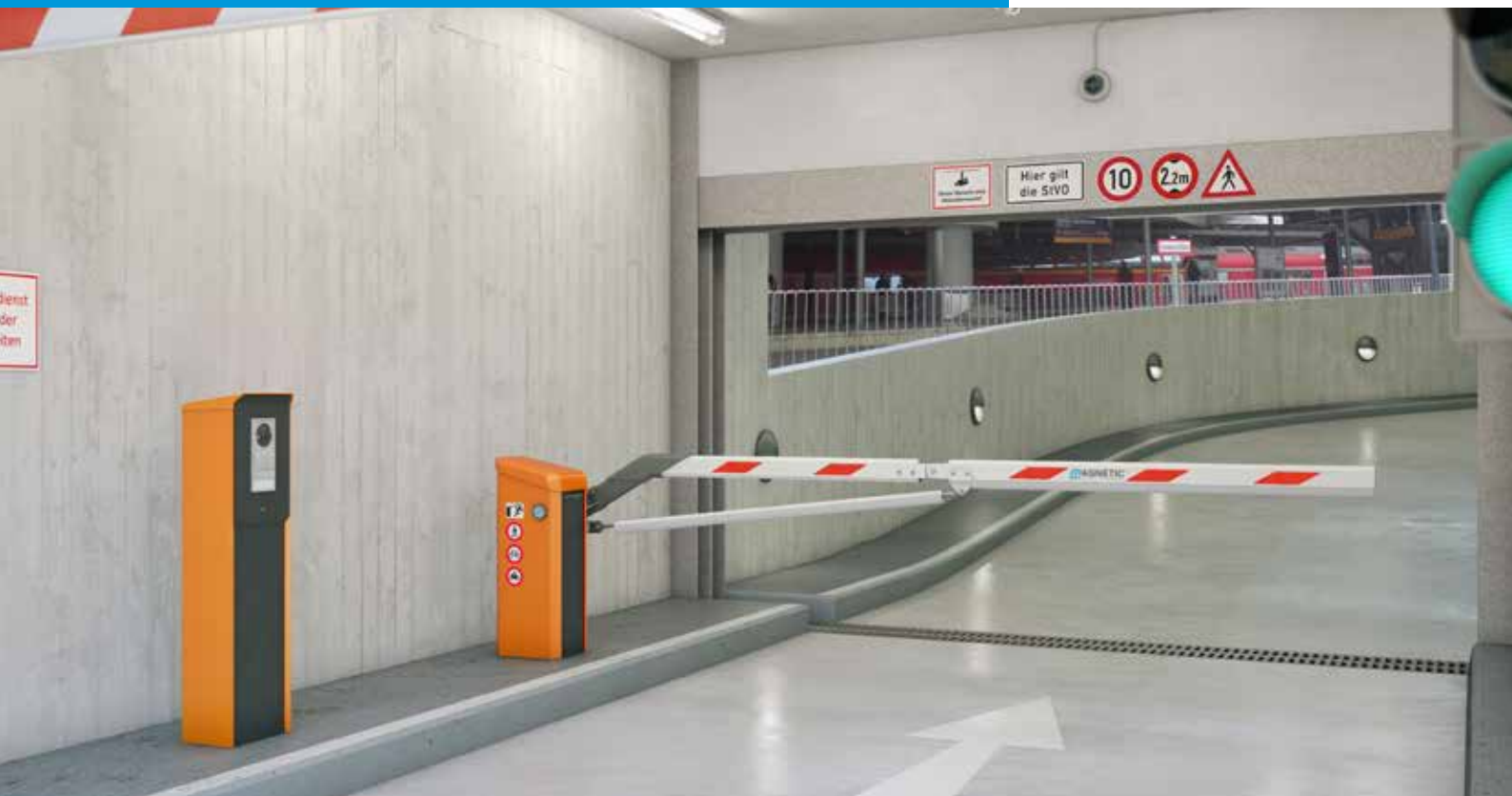


Parking Pro

Car park barrier

mAGNETIC[®]
ACCESS TO PROGRESS



For heavily frequented parking facilities

In a multi-storey car park or an underground garage, Parking Pro barriers from Magnetic are the ideal solution for professional parking applications. Thanks to their configuration and security settings, Parking Pro barriers are designed for use in heavily frequented facilities in which the movement of persons can be ruled out. Rapid opening times and the detection of tailgating vehicles ensure reliable processing for users, while low energy consumption, low-maintenance components and simple servicing keeps running costs down permanently. The barrier booms are

optimised for use in parking applications: with the boom break-away option, for example, the boom is completely jettisoned in the case of a forced unauthorised passage – and it can be re-attached again without any impairment of function. In addition, visibility can be further increased by means of lighting elements and an expansion set. At the heart of the car park barrier is the innovative MHTM™ drive, characterised by its energy efficiency, lack of maintenance, and long service life – the Parking Pro is designed for 10 million opening and closing cycles.



Professional parking solution

The Parking Pro is the first choice for operators of multi-storey car parks and solution suppliers thanks to its rapid opening times, low operating costs, easy handling, great reliability and extraordinarily long service life.



Innovative drive technology

The MHTM™ drive unit operates without maintenance, energy-efficiently and quietly. Its high torque ensures best possible operation even under extreme weather conditions.



Legal security

All barriers from Magnetic have a conformity declaration in line with the Machinery Directive and a performance declaration according to the EU's Construction Products Regulation. So operators and installers are always on the safe side regarding liability issues.



Easy access to components

Two simple hand movements suffice: easy access to the control system and drive unit by removing the hood and front panel. This increases user-friendliness and speeds up commissioning and servicing.

Parking Pro

Car park barrier

- > Reliable detection of tailgating vehicles
- > Low power consumption for economical operation
- > Optimum accessibility for particularly easy maintenance
- > German Design Award 2014 and red dot design award 2012
- > Designed for 10 million opening and closing cycles

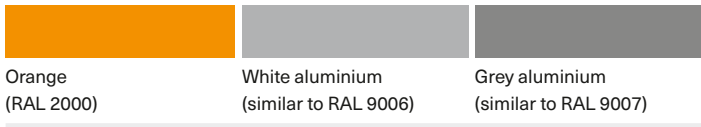


| Technical data | Parking Pro |
|--------------------------------|----------------------|
| Lane width | Max. 3.5 m |
| Opening/closing time | 1.3 s |
| Power consumption | Max. 95 W |
| Drive technology | MHTM™ |
| Voltage | 85–264 VAC, 50/60 Hz |
| Duty cycle | 100% |
| Housing dimensions (W x D x H) | 315 x 360 x 915 mm |
| Enclosure rating | IP 54 |
| Temperature range | –30 to +55° C |
| Weight | 40 kg |

| Features | Parking Pro |
|--|----------------------|
| Standard colours | RAL 2000, 9006, 9007 |
| VarioBoom barrier boom | Standard |
| Control system | MGC Pro |
| Integrated 2-channel detector for induction loops | Standard |
| Modular expansion of control system | Standard |
| Variable I/O assignment | Standard |
| No. of digital inputs | 8 |
| No. of relays/digital outputs | 6/4 |
| Input with test for safety light barrier/Laser scanner | 1 |
| Selectable closing speed | Standard |
| Selectable opening speed | Standard |

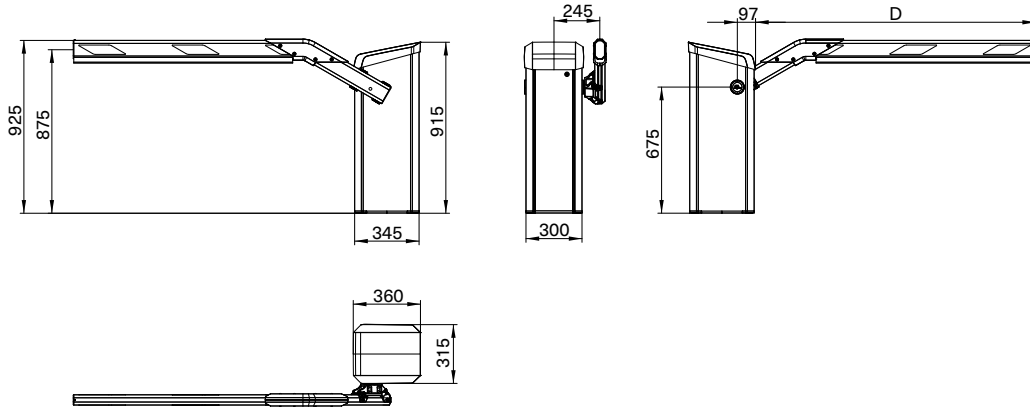
| Options | Parking Pro |
|------------------------------------|-------------|
| Special colours | ✓ |
| Articulated boom | ✓ |
| Boom extension set | ✓ |
| Support post | ✓ |
| Breakaway flange | ✓ |
| Boom drop contact | ✓ |
| Boom illumination | ✓ |
| Boom locking set, red | ✓ |
| Light strips, red/green | ✓ |
| Hood light | ✓ |
| Key-operated switch | ✓ |
| Radio module | ✓ |
| Ethernet module | ✓ |
| RS485 module | ✓ |
| CAN module (counting) | ✓ |
| Second detector module | ✓ |
| GSM module | ✓ |
| Safety light barrier/Laser scanner | ✓ |
| Battery backup | ✓ |

Standard colours

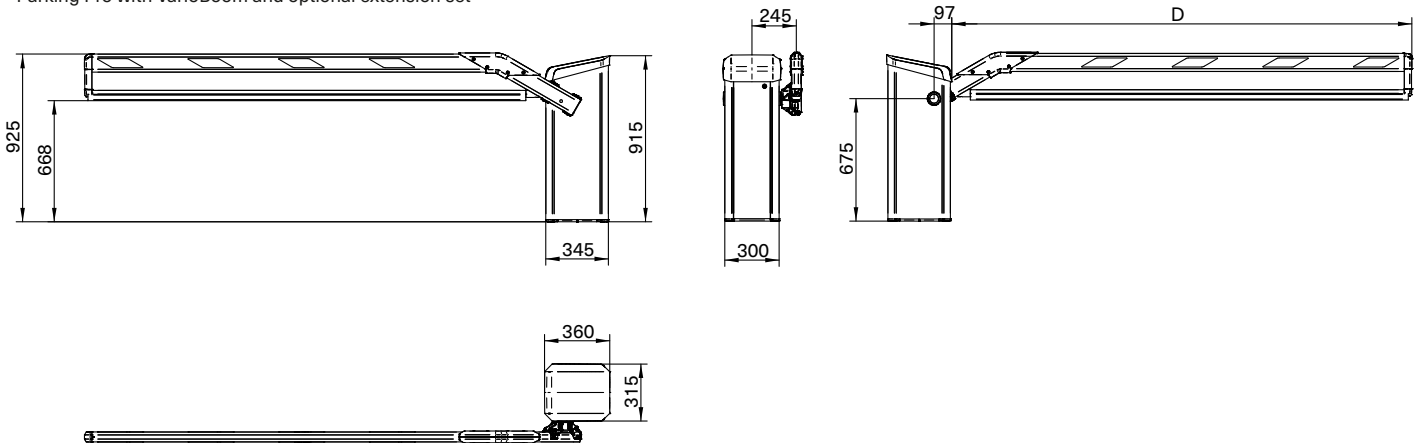


Dimensional drawings

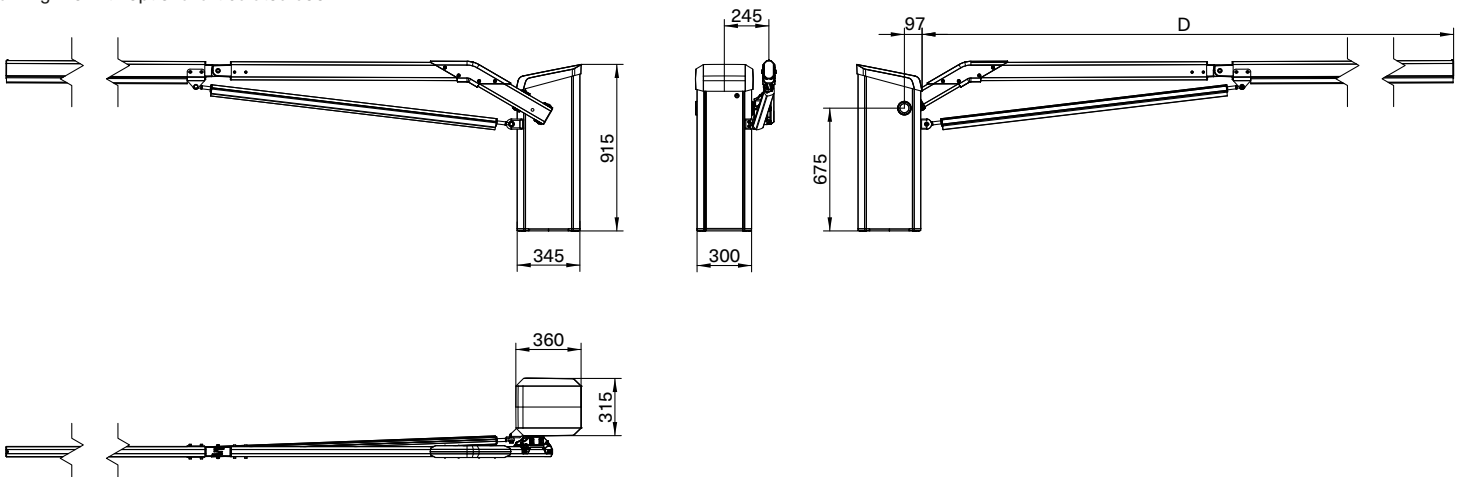
Parking Pro with VarioBoom



Parking Pro with VarioBoom and optional extension set



Parking Pro with optional articulated boom



Access to Progress

Magnetic stands for pioneering products – in every way. Our access control systems for vehicles or pedestrians clear the way for thousands of people every day – at car parks, toll gates, stations, airports and in buildings. Our technology is also pioneering, however: with innovative drives, intelligent control systems and well thought-out details it provides maximum safety and longevity. Are you also on the path to Magnetic?



Vehicle barriers

Access barriers
Parking barriers
Toll barriers
Special barriers



Pedestrian gates

Turnstiles
Swing gates
Tripod gates
Retractable gates
Wing gates



Terminals

Cars
Trucks

Germany
MAGNETIC AUTOCONTROL GMBH
Grienmatt 20
79650 Schopfheim
Phone +49 7622 695-5
Fax +49 7622 695-800
E-mail info@magnetic-germany.com

Australia
MAGNETIC AUTOMATION PTY LTD
38 Metrolink Circuit
Campbellfield, VIC 3061
Phone +61 3 9339 2900
E-mail info@magnetic-oz.com

Austria
FAAC GMBH
Münchner Bundesstraße 123
5020 Salzburg
Phone +43 662 853395-0
E-mail at.info@faacgroup.com

Benelux countries
FAAC BENELUX NV/SA
Industriezone 3B
8490 Jabbeke
Belgium
Phone +32 50 320202
E-mail info@magnetic-benelux.com

Brazil
MAGNETIC AUTOCONTROL LTDA
Av. Salim Antônio Curciati, 136
04690-050 – São Paulo
Phone +55 11 5660 8500
E-mail info@magnetic-br.com

China
MAGNETIC CONTROL SYSTEMS CO., LTD
No. 3 Building, No. 51
Lane 1159, Kang Qiao (East) Road
Kang Qiao Industrial Zone, Shanghai
Phone +86 21 68182970
E-mail info@magnetic-cn.com

France
FAAC FRANCE
377 Rue Ferdinand Perrier
69808 St Priest Cedex
Phone +33 4 72 21 86 89
E-mail info@magnetic-fr.com

India
MAGNETIC FAAC INDIA PVT LTD.
PRS Centre
Plot No. 373 to 376, 2nd Floor (West Wing)
1st Cross Street, Nehru Nagar
Old Mahabalipuram Road
Kottivakkam (Opp Rayala Technopark, Perungudi)
Chennai 600041
Phone +91 44 421 23297
E-mail info@magnetic-india.com

Middle East
FAAC MIDDLE EAST FZE
Dubai Silicon Oasis
PO Box 54886
Dubai
United Arab Emirates
Phone +971 4 3724193
E-mail info@magnetic-uae.com

N. and S. America (excl. Brazil)
FAAC INTERNATIONAL, INC
3160 Murell Road
Rockledge, FL 32955
USA
Phone +1 321 635 8585
E-mail info@magnetic-usa.com

Scandinavia
FAAC NORDIC AB
Box 125
284 22 Perstorp
Sweden
Phone +46 435 77 95 03
E-mail info@magnetic-nordic.com

Southeast Asia
MAGNETIC CONTROL SYSTEMS SDN. BHD
No. 17, Jalan Anggerik Mokara 31/54
Taman Perindustrian Kota Kemuning
40460 Shah Alam
Selangor Darul Ehsan
Malaysia
Phone +60 3 5123 0033
E-mail info@magnetic-malaysia.com