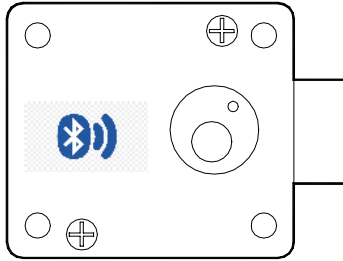
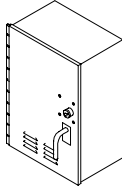




BlueWARRIOR Bluetooth BlueKey™ Encrypted TRAFFIC ENCLOSURE LOCK



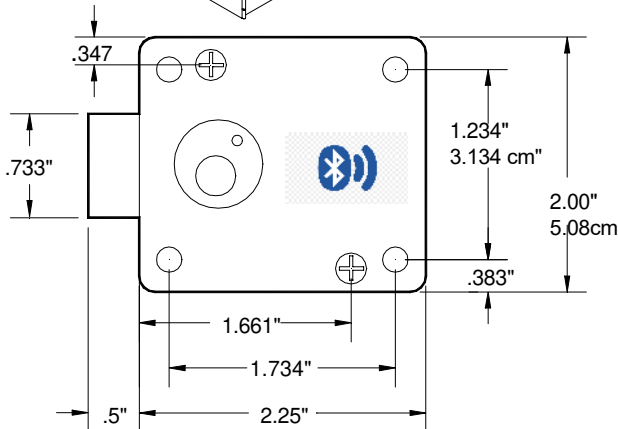
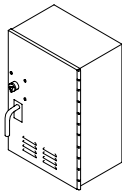
Fig #1 HINGES CAN BE ON LEFT OR RIGHT OF LOCK ON RIGHT. BlueWARRIOR LOCKS ARE UNIVERSAL



BlueWARRIOR Bluetooth TRAFFIC ENCLOSURE NOTES

- A. NIST COMPLIANT**
- B. Full Audit Trail of Entry**
- C. Encrypted & Cyber Secure**
- D. Locks have no batteries**
- E. Time Stamped Records**
- F. Meets or Exceeds IP65**
- G. Smart Chip**
- H. Bluetooth Encryption**
- I. Lock has no power supply**
- J. Maintenance Free**
- K. Opening / Closing Records**
- L. Unique Identifier - Coded Id**
- M. Hardened Stainless Steel FOB**
- N. Zinc Coated**

Fig #2 Traffic Enclosure - and the locking mechanism - with dimensions



Patent Pending



**#4 BlueWARRIOR Traffic Enclosure Lock
Part Number: BW-BTE207 (Shown Left)**



- O. Stainless Steel Tip**
- P. Rechargeable Battery**
- Q. USB Data Connection**
- R. LED Indicator Lights**
- S. LED Readout Screen**
- T. Fully Encrypted**
- U. Stores > 20,000 Cylinders**
- V. Stores > 60,000 Audit Events**

**Fig #3 Bluetooth BlueKey™
Part Number: BW-Bluetooth Key**

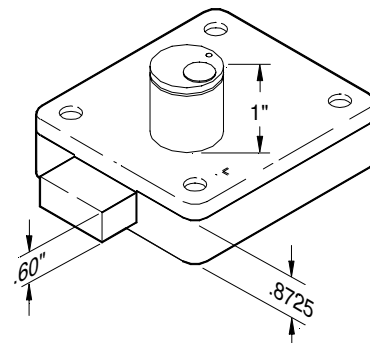


Fig #5 SQUARE LATCH